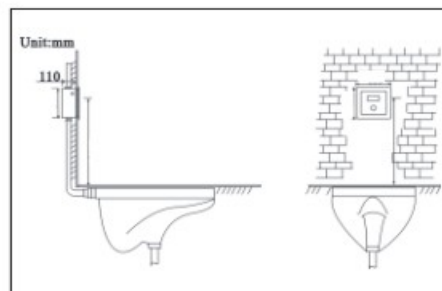
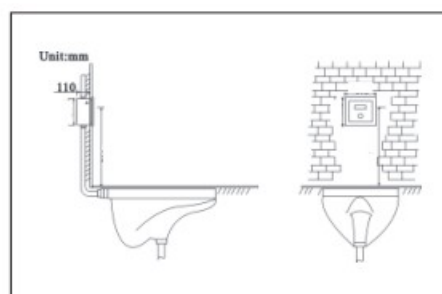




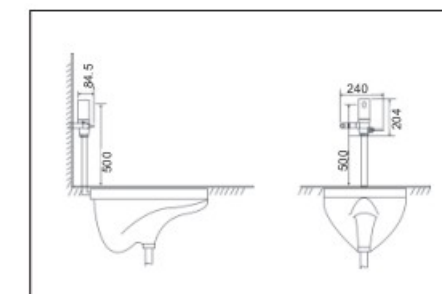
Specially designed for hygiene, minimized virus infection and water saving. This unique sensor is infrared detectable and hand free (2 secs after detect and 4 secs after leaving) with adjustable detach distance and water flow volume/time. It can resist up to 55oC surrounding temperature. Auto flush will be activated when valve not in used for more than 24 hrs to prevent foul smell. The sensor detector can be operated by A/C current and/or batteries. It is hustle free and keeps maintenance to the minimum.



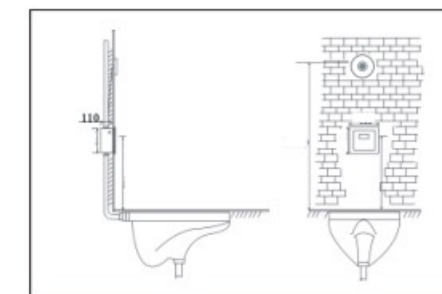
ANSPORN 7710-HF Sensor WC
Flush Valve c/w Manual Overwriting
Approx. size (mm) :170X170X110
(Box Type Concealed)



ANSPORN 7711-HF Sensor WC
Flush Valve c/w Manual Overwriting
Approx. size (mm) :176X176X110
(Box Type Concealed)

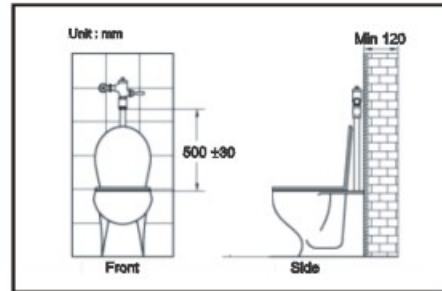


ANSPORN 7720-HF Sensor WC
-Brass chrome finished
Approx. size (mm) :204X240X84
(Exposed)



ANSPORN 7712-HF Sensor WC
Flush Valve c/w Seperate Manual Overwriting
Approx. size (mm) :135X135X75
(Box Type Concealed)

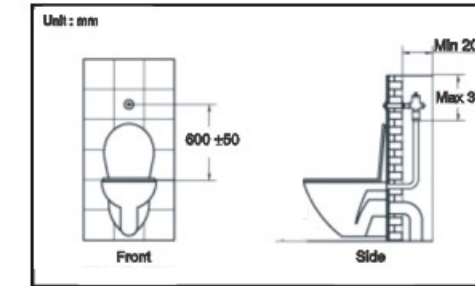
Flush Valve for WC



ANSPORN 3312-XX Exposed WC Flush Valve

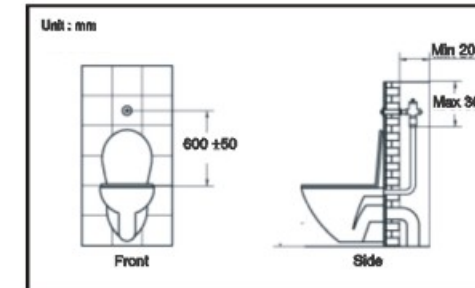
- Hand activated system.
- Adjustable flush volume (4.5-6.0L)
- Constant flush volume irrespective of water pressure.
- Pressure range from 0.7-7bar Dynamic pressure.
- Vacuum breaker.
- Straight pipe-150mm.

Approx. size (mm) : 275X175X57



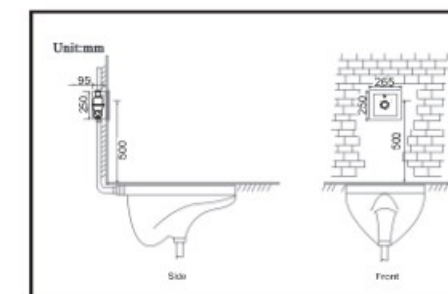
ANSPORN 3312-XX Exposed WC Flush Valve

- Palm press activation via 10mm \varnothing push button.
- Adjustable flush volume (4.5-6.0L)
- Constant flush volume irrespective of water pressure.
- Pressure range from 0.7-7bar Dynamic pressure.
- Concealed duct type for solid wall 45-150mm thick.



ANSPORN 3317-XX Concealed WC Flush Valve

- Palm press activation via 60mm \varnothing push button.
- Adjustable flush volume (6L)
- Constant flush volume irrespective of water pressure.
- Pressure range from 0.7-7bar Dynamic pressure.
- Concealed duct type for solid wall 45-150mm thick.



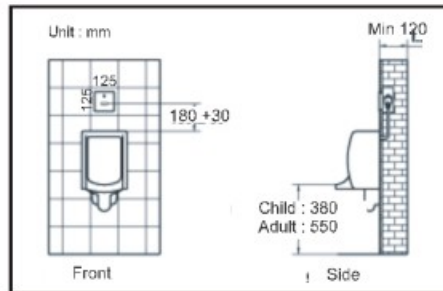
ANSPORN 3318-XX Concealed Box Type WC Flush

- Hand activated system.
- Adjustable flush volume (4.5-6.0L)
- Constant flush volume irrespective of water pressure.
- Pressure range from 0.7-7bar Dynamic pressure.
- Vacuum breaker.

Approx. size (mm) : 250 (H) X 265 (W) X 95 (D)



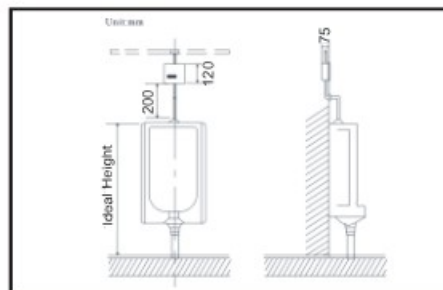
Specially designed for hygiene, minimized virus infection and water saving. This unique sensor is infrared detectable and hand free (2 secs after detect and 4 secs after leaving) with adjustable detect distance and water flow volume/time. It can resist up to 55oC surrounding temperature. Auto flush will be activated when valve not in used for more than 24 hrs to prevent foul smell. The sensor detector can be operated by A/C current and/or batteries. It is hustle free and keeps maintenance to the minimum.



ANSPORN 8810-HF Sensor Urinal

**Operated either by A/C or D/C (4AA batteries-minimum 100,000 cycles)*

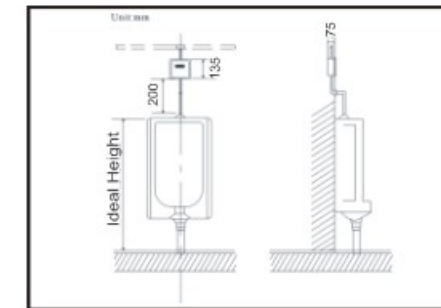
Approx. size (mm) : 125X125X75
(Box Type Concealed)



ANSPORN 8810-HF Sensor Urinal Flush Valve

**Operated either by A/C or D/C (4AA batteries-minimum 100,000 cycles.)*

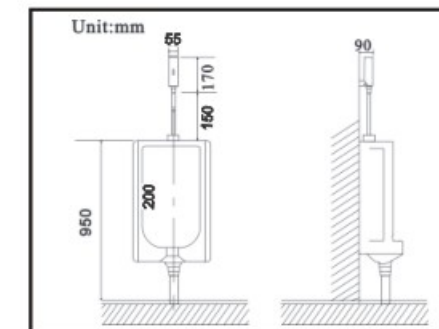
Approx. size (mm) : 120X120X75
(Box Type Concealed)



ANSPORN 8813-HF Sensor Urinal Flush Valve

**Operated either by A/C or D/C (4AA batteries-minimum 100,000 cycles.)*

Approx. size (mm) : 135X135X75
(Box Type Concealed)

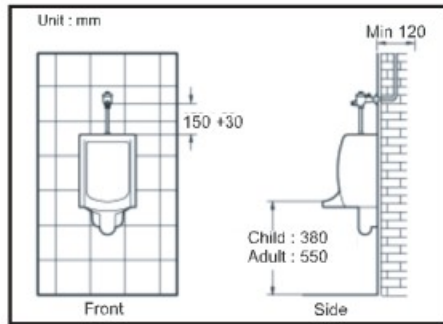


ANSPORN 8820-HF Sensor Urinal Flush Valve (Cylinder)

**Operated either by A/C or D/C (4AA batteries-minimum 100,000 cycles.)*

Approx. size (mm) : 55X170
(Expose sensor unit)

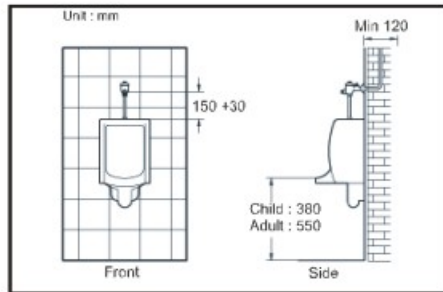
Flush Valve for Urinal



ANSPORN 3361-XX Exposed Urinal Flush Valve

- Hand activated system.
- Adjustable flush volume (2.0-3.5L)
- Consistant flush volume irrespective of water pressure.
- Pressure range from 0.7-7bar Dynamic pressure.
- Vacuumbreaker.
- Straight/off-set pipe.
- Metal spud.

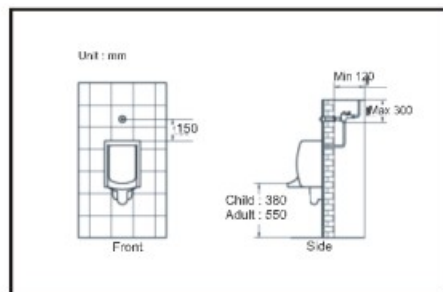
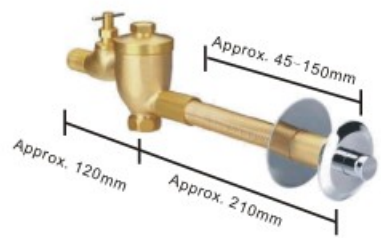
Approx. size (mm) : 275X175X57



ANSPORN 3362-XX Exposed Urinal Flush Valve

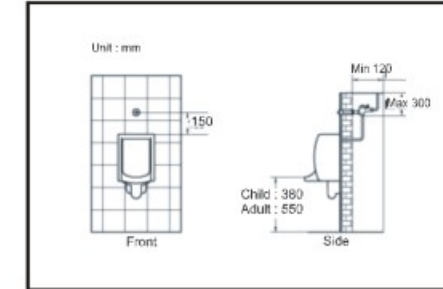
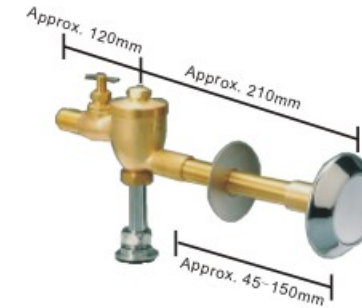
- Hand activated system.
- Adjustable flush volume (2.0-3.5L)
- Consistant flush volume irrespective of water pressure.
- Pressure range from 0.7-7bar Dynamic pressure.
- Vacuumbreaker.
- Straight/off-set pipe.
- Rubber spud with Chrome Plated Flange.

Approx. size (mm) : 275X175X57



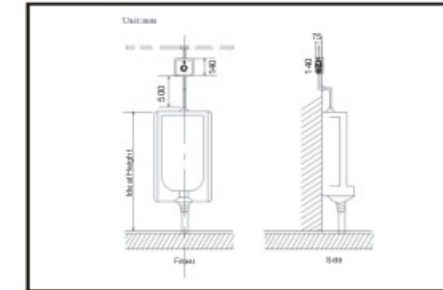
ANSPORN 3365-XX Concealed Duct Type Urinal Flush Valve

- Palm press activation via 18mm \varnothing push button.
- Adjustable flush volume (2.0-3.5L)
- Consistant flush volume irrespective of water pressure.
- Pressure range from 0.7-7bar Dynamic pressure.
- Concealed duct type for solid wall 45-150mm thick.



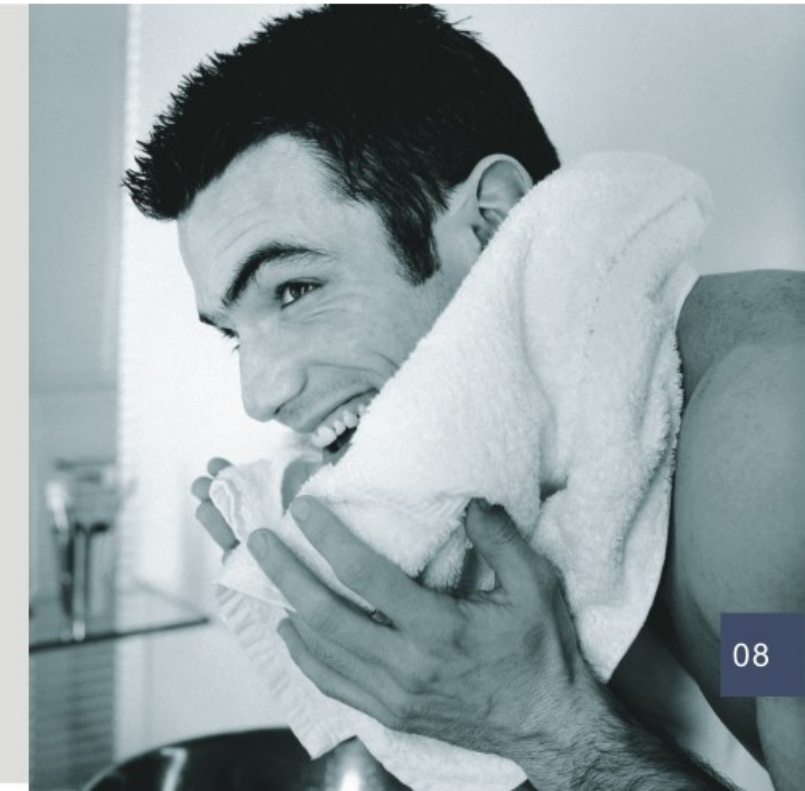
ANSPORN 3367-XX Concealed Duct Type Urinal Flush Valve

- Palm press activation via 60mm \varnothing push button.
- Adjustable flush volume (2.0-3.5L)
- Consistant flush volume irrespective of water pressure.
- Pressure range from 0.7-7bar Dynamic pressure.
- Concealed duct type for solid wall 45-150mm thick.



ANSPORN 3368-XX Concealed Box Type Urinal Flush Valve

- Palm press activation via 60mm \varnothing push button.
- Adjustable flush volume (2.0-3.5L)
- Consistant flush volume irrespective of water pressure.
- Pressure range from 0.7-7bar Dynamic pressure.
- Concealed duct type for solid wall 45-150mm thick.





ANSPORN 3342
WC Metal Spud.
Approx. size (mm) :32 (T) X48 (B)



ANSPORN 3113
WC Flush Valve Push Guide.



ANSPORN CSA-09
1" Ø Concealed Foot/Shower
Delayed Action Valve.
Size: 1 inch Inlet &Outlet



ANSPORN CSD-08
1/2" Ø Exposed Foot
Delayed Action Valve.
Size: 1 inch Inlet &Outlet



ANSPORN SL001
S/S Bend Pipe for WC.
Approx. size (inch) : 4X8



ANSPORN SL002
S/S Bend Pipe for WC.
Approx. size (inch) : 6X8



ANSPORN SL003
S/S Bend Pipe for WC.
Approx. size (mm) : 300X800

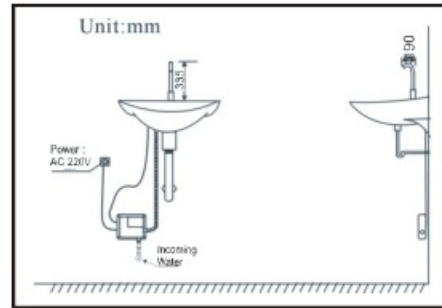


ANSPORN SL006
S/S Bend Pipe for WC.
Approx. size (mm) : 600X1200

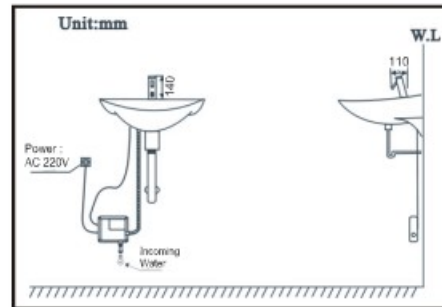
Automatic Sensor Pillar Taps



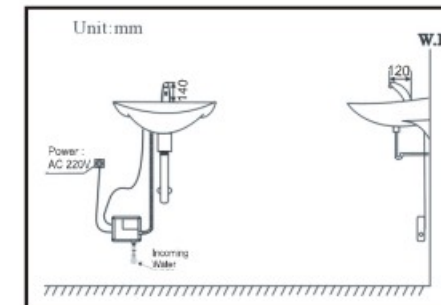
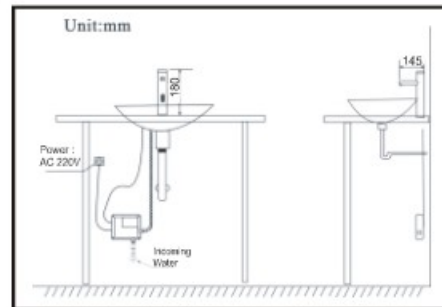
ANSPORN 6212-VL
Battery Operated Sensor Pillar
Size (mm) : 335X190



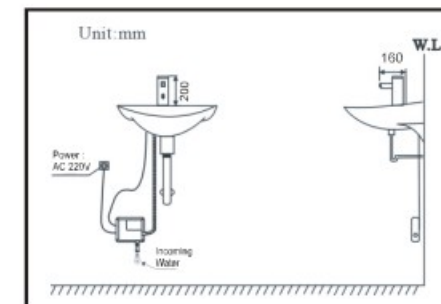
ANSPORN 6502T-VL
Battery Operated Sensor Pillar
Approx size (mm) : 140X110



ANSPORN 6505T-VL
Battery Operated Sensor Pillar
Approx size (mm) : 180X145



ANSPORN 6900T-VL
Battery Operated Sensor Pillar Tap
Approx size (mm) : 120X140



ANSPORN 6915-HF
Battery Operated Sensor Pillar
Approx size (mm) : 200X160



This range of unique sensor basin tap designed with extendable brass body applicable to bigger size basin. The sensor eye is positioned below the spout for convenient and faster water flow response. The sensor detector can be operated either by A/C or D/C (4 AA batteries - minimum 100,000 cycles). It is hustle free and keeps maintenance to the minimum.



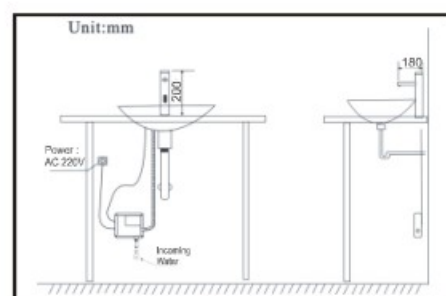
Automatic Sensor Pillar Taps



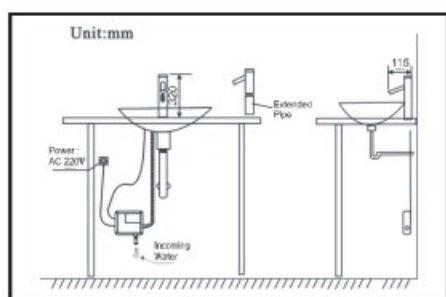
Automatic Sensor Bib / Pillar Tap



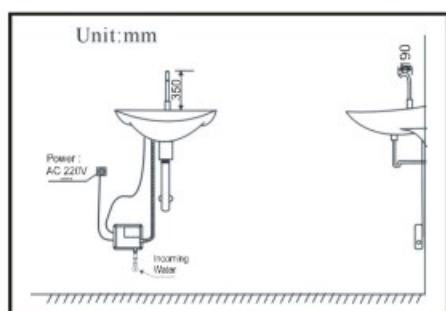
ANSPORN 3701T-VL
Automatic Sensor Abulution
Approx. size (mm) :230L



ANSPORN 6912-HF
Battery Operated Sensor Pillar
Approx. size (mm) :200X115



ANSPORN 6913-HF
Battery Operated Sensor Pillar Tap
Approx. size (mm) :320X115



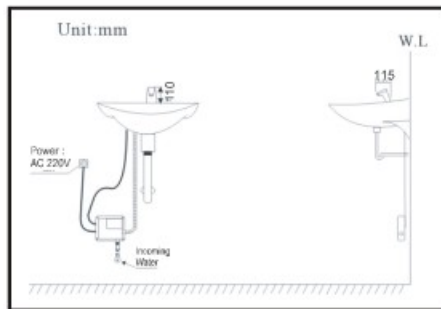
ANSPORN 6916-HF
Battery Operated Sensor Pillar Tap
Approx. size (mm) :350X190



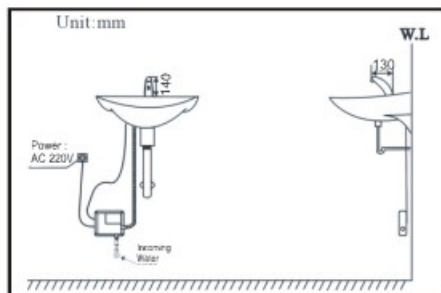
ANSPORN 3401T-VL
Automatic Sensor Pillar Tap
Approx. size (mm) :230L

Automatic Sensor Pillar Taps

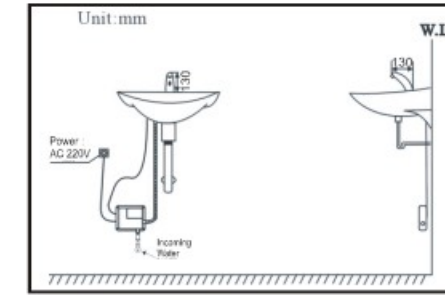
This unique sensor brass chromed designed faucet with its appealing and elegant is applicable to homes or commercial used. The sensor eye is positioned below the spout for convenient and faster water flow response. The sensor detector can be operated either by A/C or D/C (4 AA batteries - minimum 100,000 cycles). It is hustle free and keeps maintenance to the minimum.



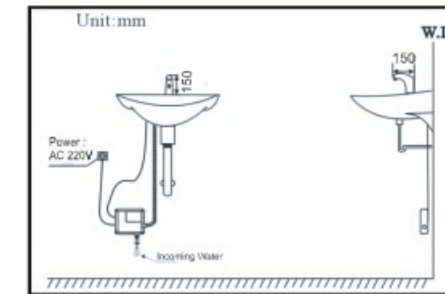
ANSPORN 6922-HF
Automatic Sensor Faucet
Approx. size (mm) : 110X115



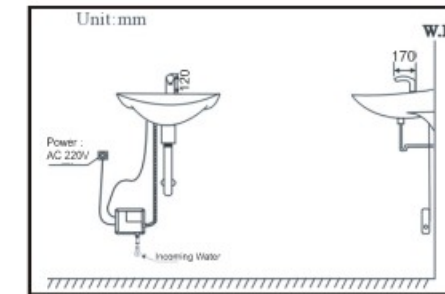
ANSPORN 6923-HF
Automatic Sensor Faucet
Approx. size (mm) :
140X130



ANSPORN 6925-HF
Automatic Sensor Faucet
Approx. size (mm) : 130X130



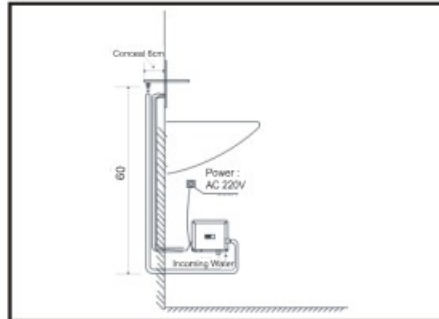
ANSPORN 6801-HF
Automatic Sensor Faucet
Approx. size (mm) : 150X150



ANSPORN 6802-HF
Automatic Sensor Faucet
Approx. size (mm) : 120X170



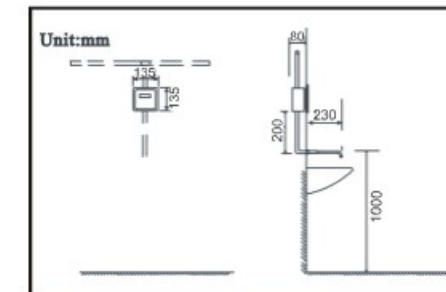
Automatic Sensor Faucet



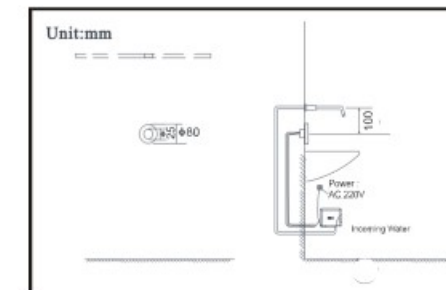
ANSPORN 6808-HF
Automatic Sensor Faucet
Approx. size (mm) : 120X140

Automatic Sensor Evolution Tap

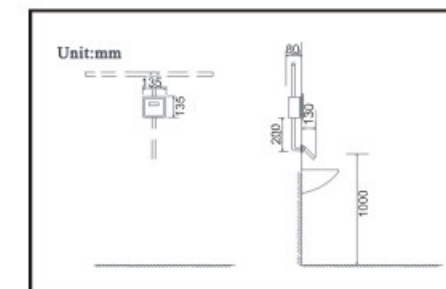
This unique sensor brass chromed wall mount designed tap most suitable for mosque and recreation used. The sensor eye is positioned below/above the spout for convenient and faster water flow response. The sensor detection is operated by A/C current. It is hustle free and keeps maintenance to the minimum.



ANSPORN 6701-HF
Automatic Sensor Evolution Tap
Approx. size (mm) : 135X135
(Box Type Concealed)



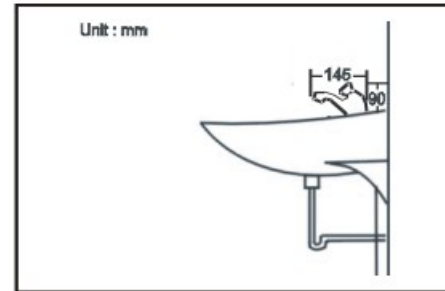
ANSPORN 6702-HF
Automatic Sensor Evolution Tap
Approx. size (mm) : Button 80 \varnothing
(Concealed)



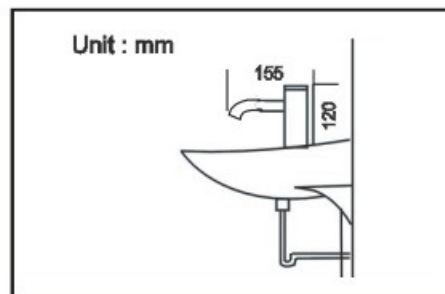
ANSPORN 6703-HF
Automatic Sensor Evolution Tap
Approx. size (mm) : 135X135
(Box Type Concealed)

Delayed Action Pillar Taps / Faucets

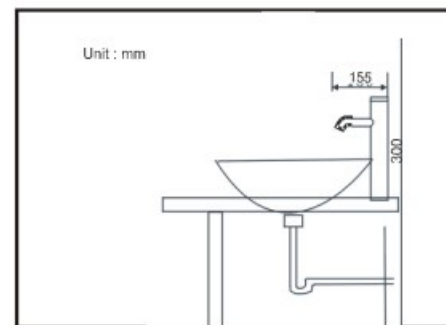
This soft touch activation brass chromed pillar tap and faucet are designed to suit commercial and residential needs with its appealing and elegant features. Its self closed timing is selectable with 3 secs and 6 secs cartridge with built-in aerator and constant flow regulator (standard 3 sec).



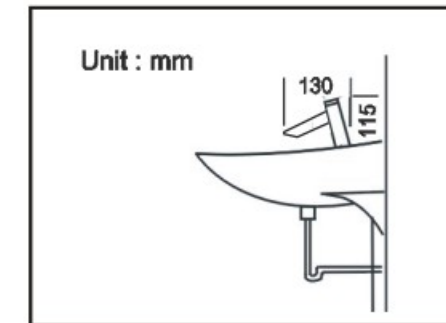
ANSPORN 61-HZ
Delayed Action Faucet
Approx. size (mm) :90 (H) X145



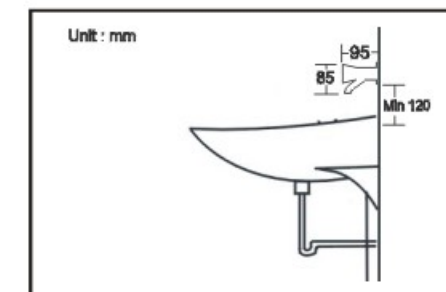
ANSPORN D-04A-XX
Delayed Action Pillar Tap
Approx. size (mm) :120 (H) X155



ANSPORN D-04B-XX
Delayed Action Pillar Tap
Approx. size (mm) :300X155



ANSPORN D-05A-XX
Delayed Action Pillar Tap
Approx. size (mm) :115 (H) X130



ANSPORN D-01B-XX
Delayed Action Bib Tap
Approx. size (mm) :95 (L) X85



Bathroom Accessories



ANSPORN BH-08
45° Grab Bar with Soap
Approx. size (mm) :25X500



ANSPORN BH-09
Grab Bar
Approx. size (mm) :25X300



ANSPORN BH-11
Approx. size (mm) :22X600(L)



ANSPORN BH-12
2 Layer Towel Shelf
Approx. size (mm) :22X600(L)



ANSPORN BH-13
3 Layer Towel Shelf
Approx. size (mm) :22X600(L)



ANSPORN BH-14
Dual Layer Towel Rail
Approx. size (mm) :600(L)



ANSPORN BH-16
Towel Rail
Approx. size (mm) :600(L)



ANSPORN BH-17
Stainless Steel Retractable Cloths



ANSPORN BH-3073



This range of stainless steel bathroom fitting provide practicality, durability and space saving with an elegant and prestige looks. Is simple to install and upkeep. Suitable for commercial as well as private residential.



ANSPORN HL8902-VL
ABS Satin Finished Hand
Approx. size (mm) :250 (H) X248 (W) X174 (D)



ANSPORN HL8500-VL
Approx. size (mm) :230 (H) X215 (W) X190 (D)



ANSPORN HL9101-VL
Hair Dryer
Approx. size (mm) :295 (H) X260 (W) X90 (D)



ANSPORN AR2000-EVA



ANSPORN V-6906-1
Long Bath Pop-up Waste
Approx. size (mm) :510 (L)



ANSPORN V-6906-2
Long Bath Pop-up Waste c/w p-
Approx. size (mm) :510 (L)



ANSPORN FD05B Brass Chrome
Basin Spring Waste w/o overflow of



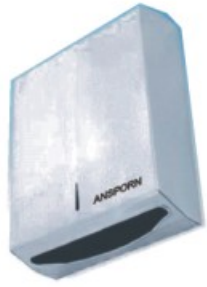
ANSPORN FD05A Brass Chrome
Basin Spring Waste c/w overflow in



ANSPORN RLCS-D5200PL
C. P. Brass Plug for Long Bath

Rest-room Accessories

The Ansporn rest-room accessories are practical, durable and space saving with an elegant and prestige looks. These accessories also come with warranty and are simple to install and maintain. Suitable for service render commercial needs.



ANSPORN PTD-04
Stainless Steel Paper Towel Dispenser c/w Lock.



ANSPORN JRD-03
Stainless Steel Jumbo Roll



ANSPORN PH-A02
Stainless Steel Full Cover Paper Roll Holder c/w Lid.



ANSPORN PH-A01
Stainless Steel Half Cover Paper Roll Holder c/w Lid.



ANSPORN PH-A05
Stainless Steel Semi-Recessed Paper Roll Holder.

Approx. size (mm) :153X162X70



ANSPORN 3107
Under Counter Basin Soap Dispenser



ANSPORN HL4202T-VT
Battery Operated Sensor Soap Dispenser



ANSPORN SD1080
Stainless Steel Polish Finished Vertical Soap Dispenser-1000ml
Approx. size (mm) :210X123X75



ANSPORN Sd1081
Stainless Steel Polish Finished Horizontal Soap Dispenser-1000ml
Approx. size (mm) :210X123X75

Concealed Cistern

The Ansporn Concealed Cistern are practical, durable and space saving with an elegant and prestige finished looks. These Concealed Cistern are applicable to also any model of water closet (WC). Suitable for private residential as well as service render commercial such as high end restaurants and hotels.



ANSPORN A20-00
Concealed Cistern Single Flush

- Simple-quick and safe.
- Simple and solid self-support mounting frame (Less space used).
- Aesthetic-installation.
- Hygienic.
- Withstand load 400kgs.
- Univer internal accessories replacement.



ANSPORN B20-10
Concealed Cistern Dual Flush

- Simple-quick and safe.
- Simple and solid self-support mounting frame (Less space used).
- Aesthetic-installation.
- Dial flush (3.0-6.0L/3.0-4.5L) for water saving.
- Hygienic.
- Withstand load 400kgs.
- Univer internal accessories replacement.

